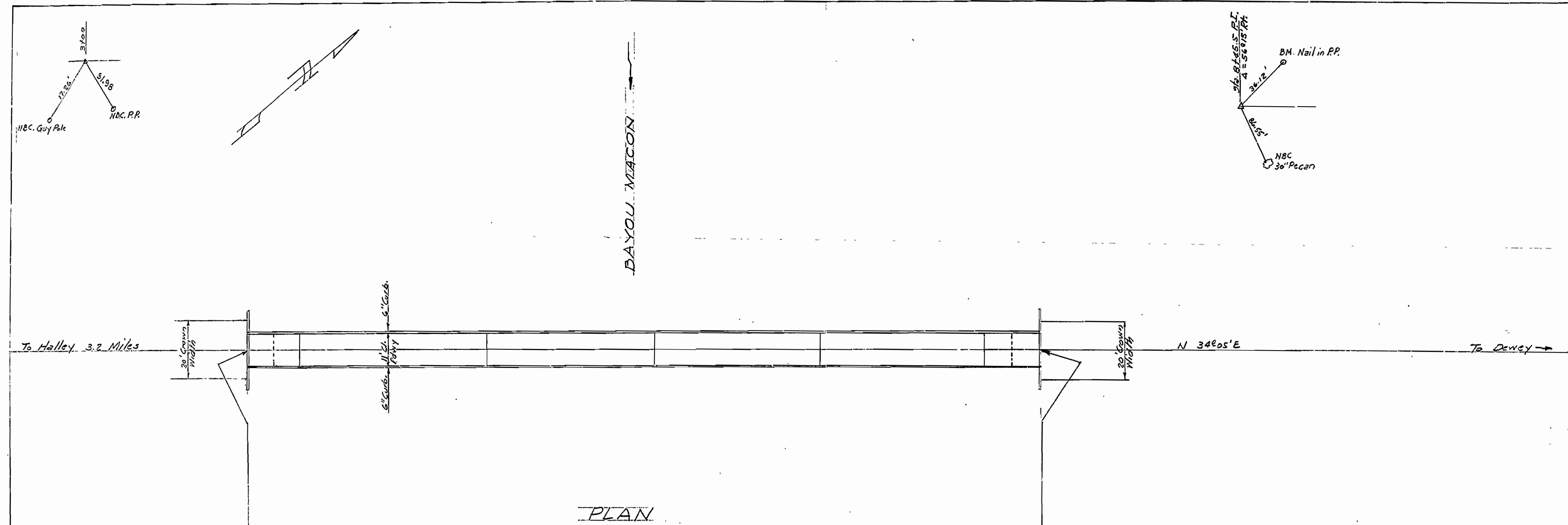
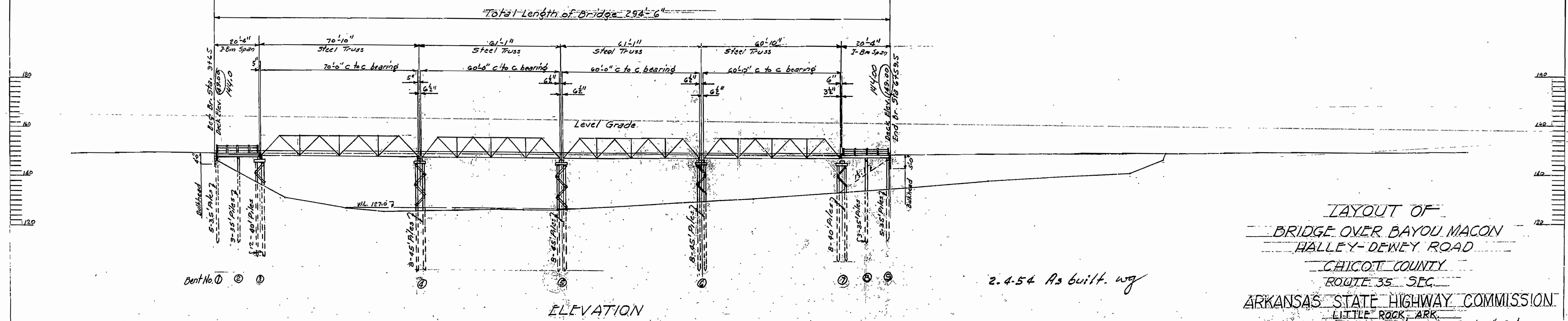


FED. ROAD DIST. NO.	STATE	PROJECT NO.	FISCAL YEAR	SHEET NO.	TOTAL SHEETS
6	ARK.				
STATE JOB NO.					



PLAN

NOTES:-
 Lengths of piling shown are for estimating purposes only. Drive one pile in Bents No 3 and 6 as test piles. Actual lengths to be determined in the field.
 Lengths of Piles shown include 2'-0" for cut-off.
 4:0



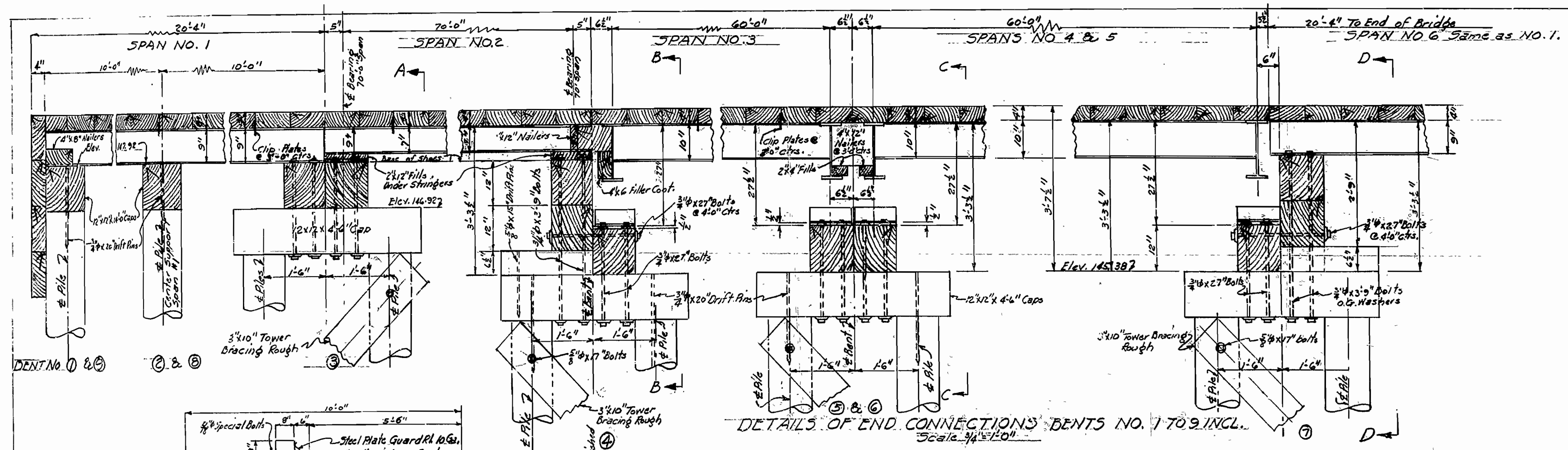
ELEVATION

B.M. Nail in Guy Pole 15' Rt. Sta. 3700
 Elev. 150.00 (Assumed)

2-4-54 As built. way

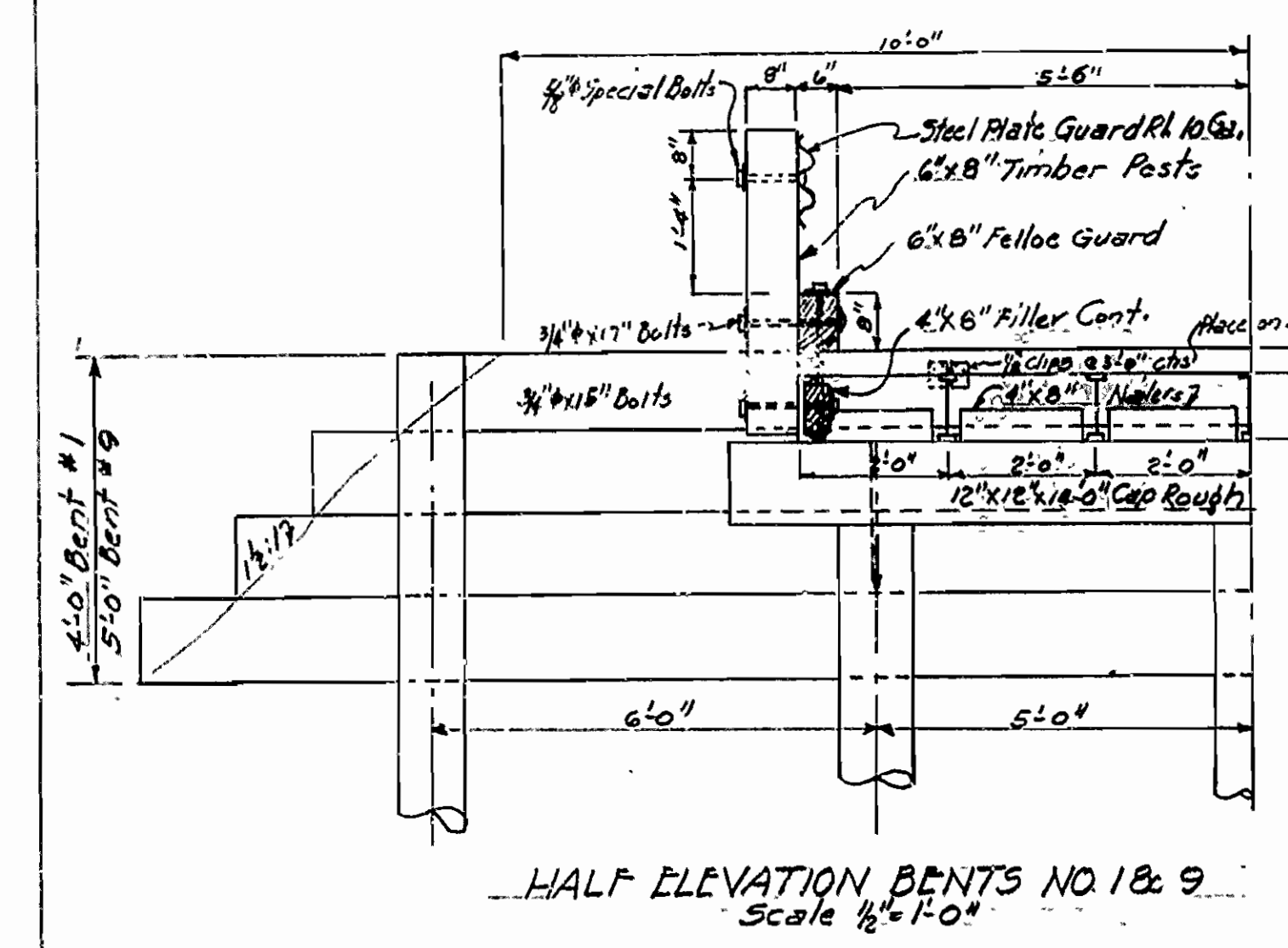
LAYOUT OF
 BRIDGE OVER BAYOU MACON
 HALLEY-DEWEY ROAD
 CHICOT COUNTY
 ROUTE 35 SEC.
 ARKANSAS STATE HIGHWAY COMMISSION
 LITTLE ROCK, ARK.
 Drawn By L.A.M. Date 10-19-51 Scale 1"=20'
 Checked by J.H.K. Date
 BRIDGE NO. 2828 DRAWING NO. 0002

PRO. ROAD DIST. NO.	STATE	PROJECT NO.	SHEET NO.	TOTAL SHEETS
6	ARK.			
STATE JOB NO.				

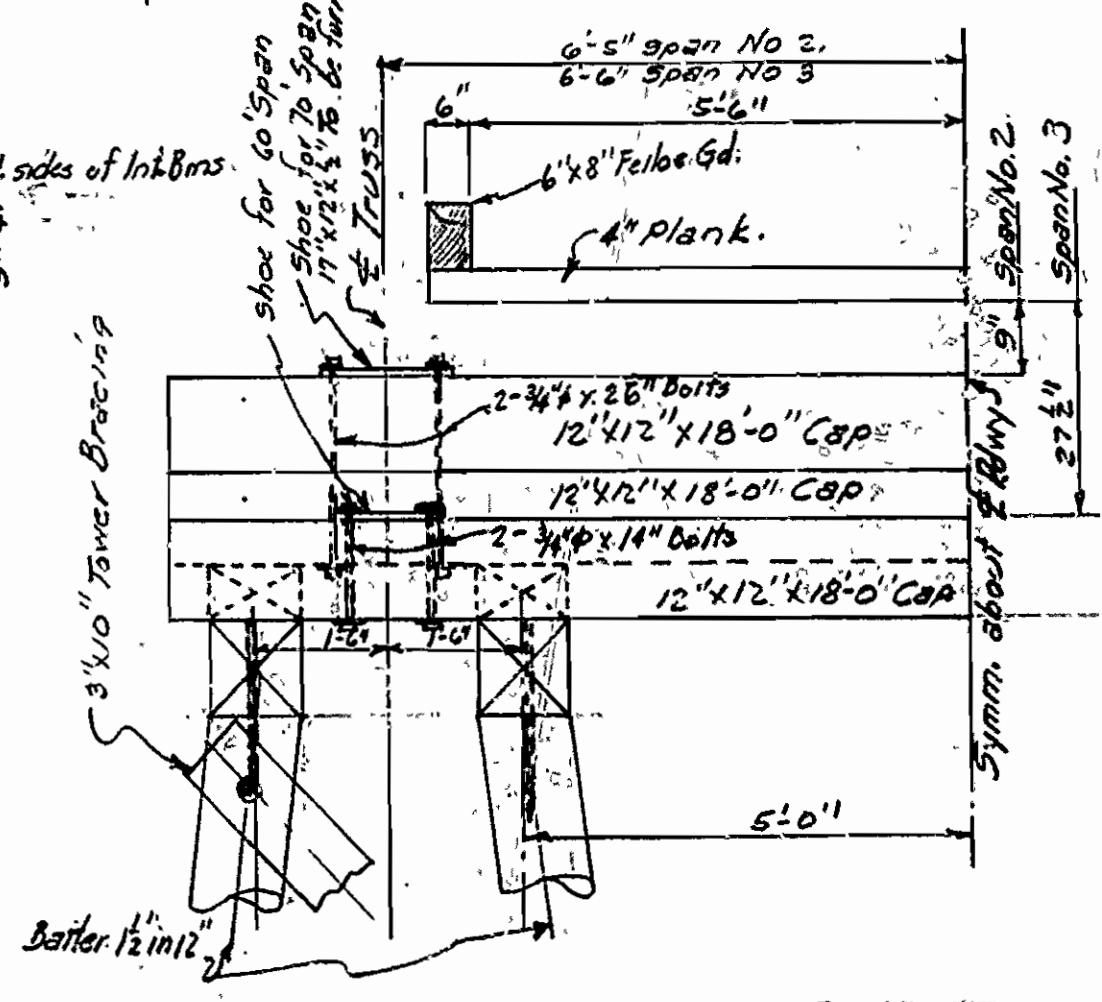


DETAILS OF END CONNECTIONS BENTS NO. 1 TO 9 INCL. Scale 3/4"=1'-0"

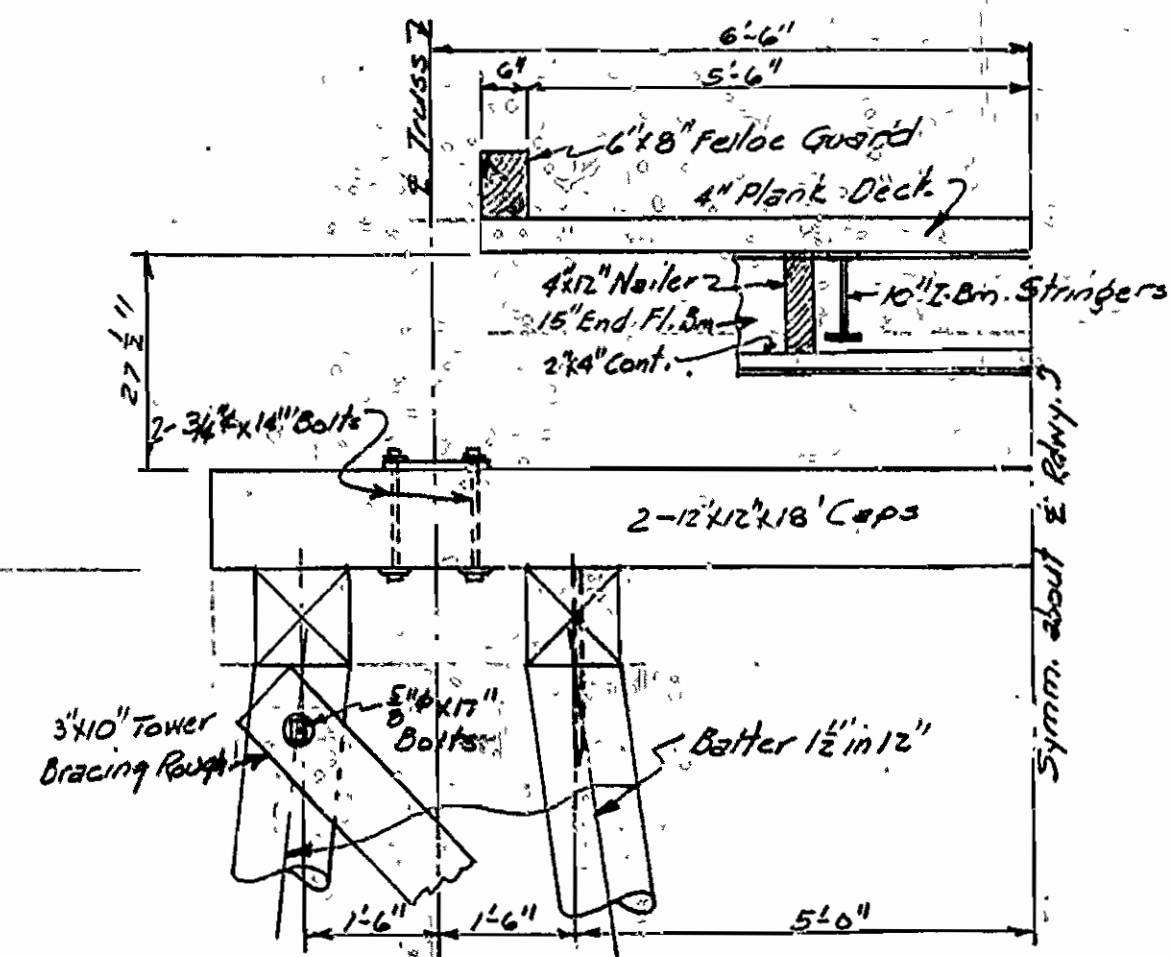
NOTE:
 Bent No. 8 Same as bent No. 2.
 Bent No. 9 Same as bent No. 1. (Except 5' bulkhead Bent #9)
 Nail walers to piles with 50 d spikes.



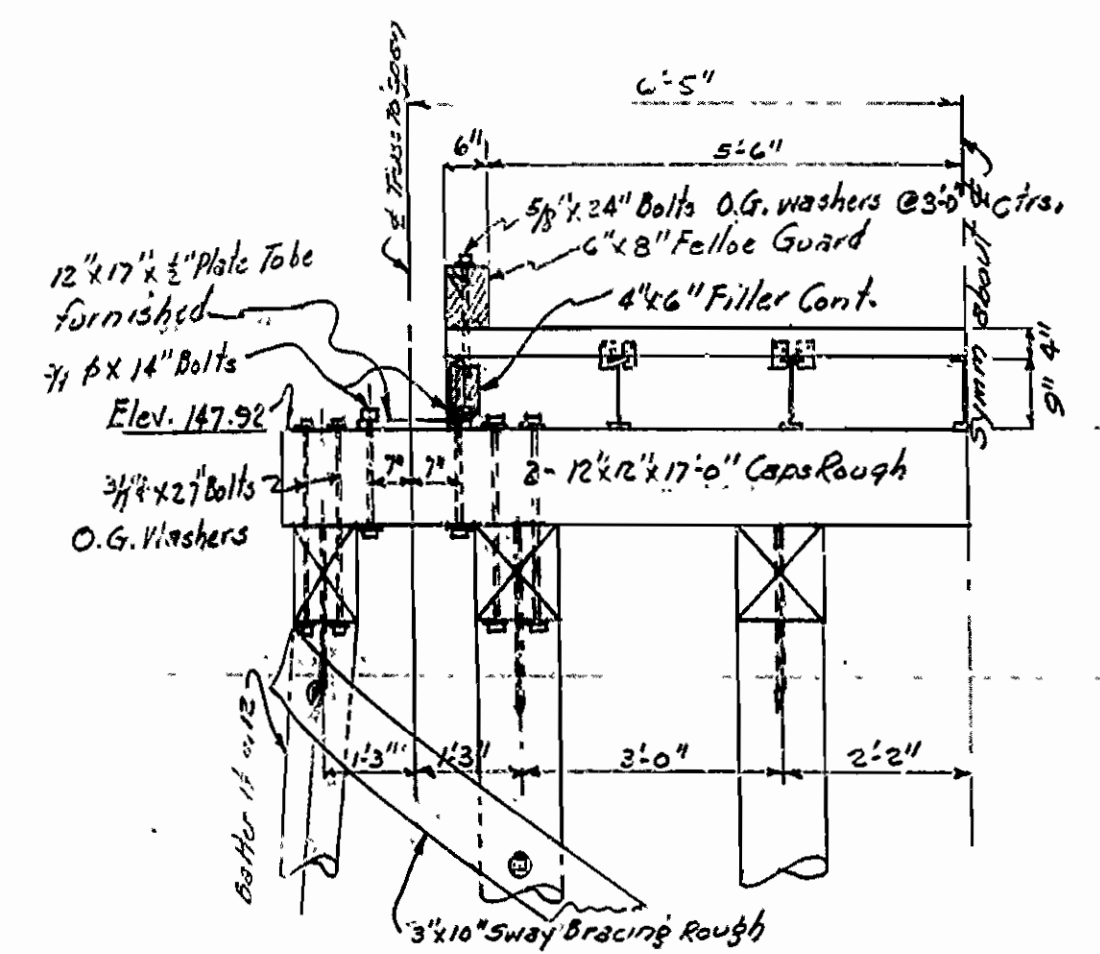
HALF ELEVATION BENTS NO. 1 & 9 Scale 1/2"=1'-0"



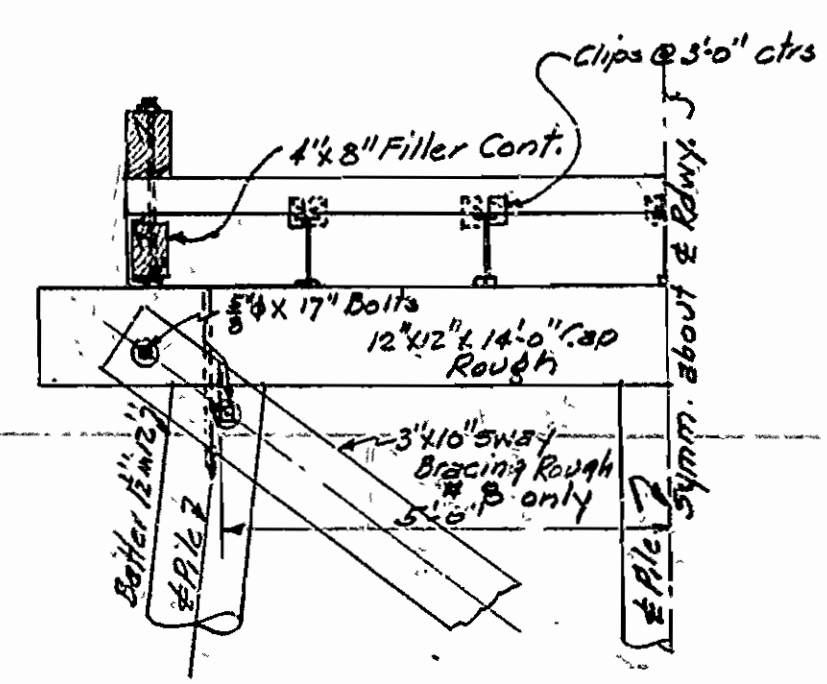
HALF SECTION B-B BENT NO. 4 Scale 1/2"=1'-0"



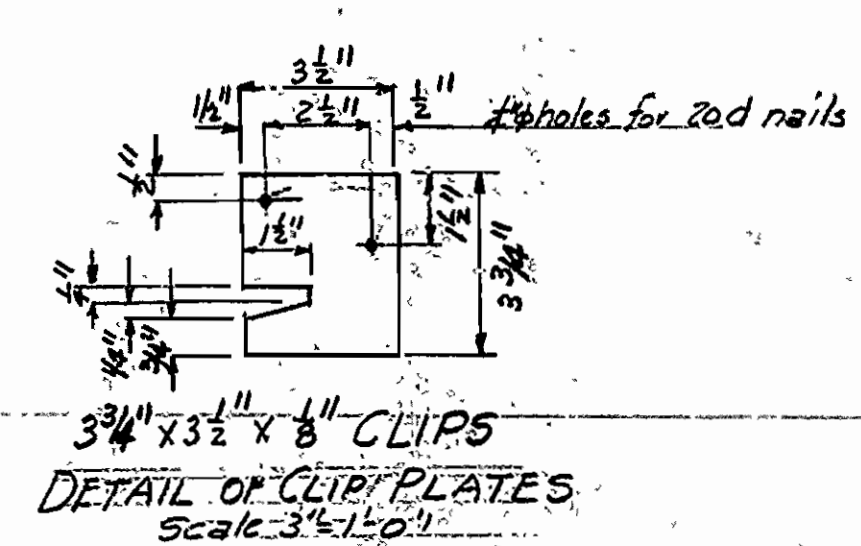
HALF SECTION C-C BENTS NO. 3 & 6 Scale 1/2"=1'-0"



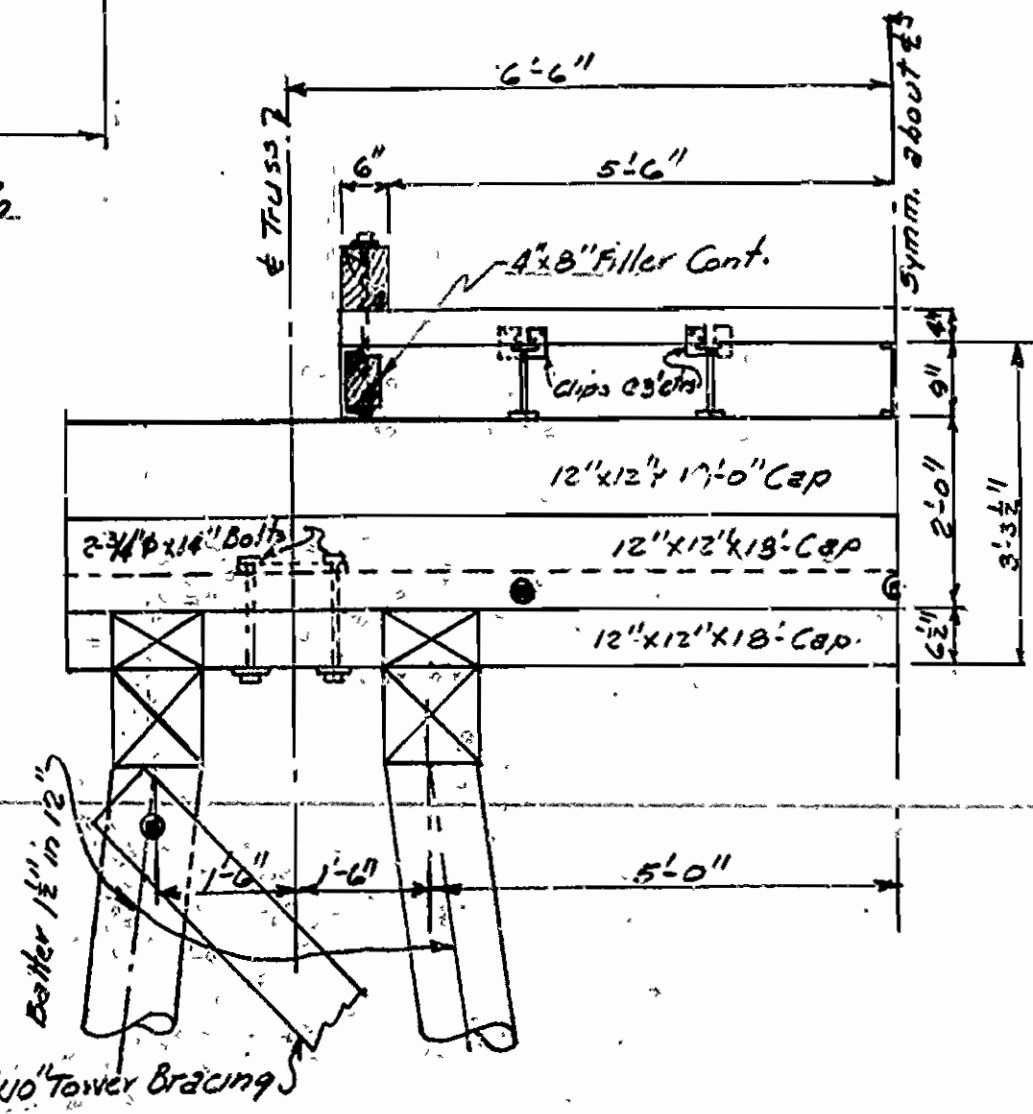
HALF SECTION A-A BENT NO. 3 Scale 1/2"=1'-0"



DETAILS OF BENTS NO. 2, 3, & 8 Scale 1/2"=1'-0"



DETAIL OF CLIP PLATES Scale 3/4"=1'-0"



HALF SECTION D-D BENT NO. 7 Scale 1/2"=1'-0"

DETAILS OF BENTS
 BRIDGE OVER BAYOU MACON
 HALLEY-DEWEY ROAD
 CHICOT COUNTY
 ROUTE 35 SEC.
 ARKANSAS STATE HIGHWAY COMMISSION
 LITTLE ROCK, ARK.
 Drawn By L.A.M. Date 10-24-51 Scales as noted
 Checked By J.H.C. Date 11-1-51
 BRIDGE NO. 2828 DRAWING NO. 8083